

DATA SHEET MERRY-GO-ROUND-CIRCULUS 3

Text for invitation to tender | Item No: 51 4013 401



MATERIALS | SCOPE OF SUPPLY

Merry-go-round, pre-mounted completely

Flower seat:	EPDM caoutchouc with steel inlay, 3 pieces
Fixation of the seats:	stainless steel, V2A, 3 pieces
Handwheel:	stainless steel, V2A, coated with EPDM granules, 1 piece
Base plate:	stainless steel, V2A, coated with EPDM granules
Stand pipe:	stainless steel, V2A with ball bearing
Foundation anchor:	galvanized steel

TECHNICAL INFORMATION

Dimensions:

Main dimension:	Ø 1320 mm
Height:	900 mm
Weight:	164 kg
Capacity:	acc. to normative requirements

Dimension largest piece: Ø 1320 x 900 mm

Heaviest piece: 156 kg

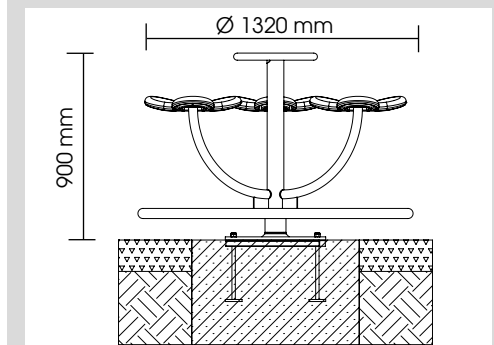
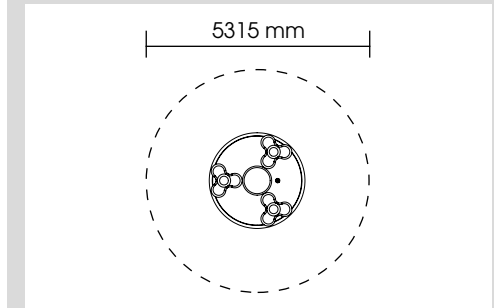
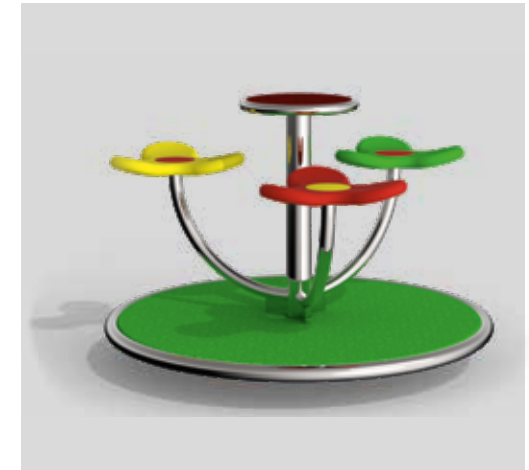
Max. fall height: 660 mm

Impact area: 22,20 m²

Required safety slabs: 30,25 m²

Required lawn grating: 36,00 m²

Recommended surface material: grass, sand, wood chip, gravel, synth. impact protection



INSTALLATION

Foundations: 1

Installation according to our detailed mounting Instructions, see www.stilum.com

